

Technical Specifications

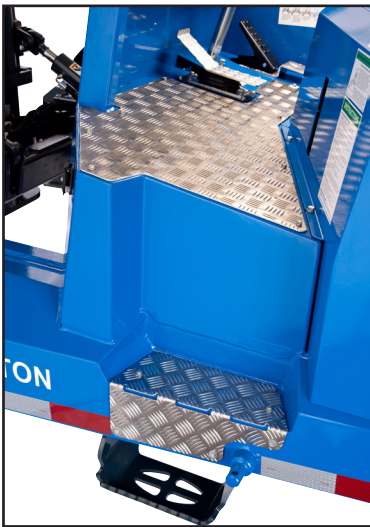
Princeton PB80



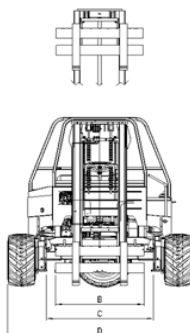
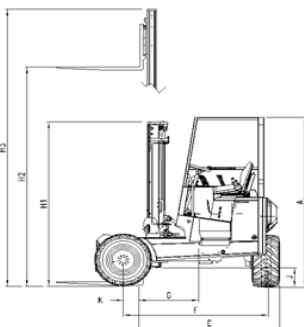
PRINCETON
DELIVERY SYSTEMS®



Princeton PB80



| Model | PB80 |
|--|--|
| TYPE | Standard |
| 1 CAPACITY @ 24" LOAD CENTER | 8000 lbs |
| 2 DIESEL ENGINE | 56 HP |
| 3 ENGINE EMISSION COMPLIANCE | EPA Tier4 Final |
| 4 MAXIMUM RPM | 2600 RPM |
| 5 ELECTRICAL SYSTEM | 12 Volt |
| 6 DRIVE WHEELS | 3 |
| 7 STEERING | Hydrostatic |
| 8 TIRE TYPE | 31 x 15.5 - 15 12-Ply (TG) 31 x 15.5 - 15 12-Ply (TG) |
| 9 TIRE OUTSIDE DIAMETER | 31" |
| 10 TIRE WIDTH | 15.5" |
| 11 MAXIMUM SPEED | 7 mph |
| 12 MAXIMUM GRADABILITY | 30% |
| 13 TURNING RADIUS | 91" |
| 14 UNLADEN WEIGHT | 6800 lbs |
| 14a UNLADEN WEIGHT (Optional) | 6920 lbs |
| 15 WORKING PRESSURE (Attachments) | 2500 psi |
| 16 TILT OF MAST (Forward/Backward) | 10° / 8° |
| 17 SIDESHIFT | 5" |
| 18 FORK SECTION | 45 x 4 x 2" |
| 19 MAST CARRIAGE TRAVEL | 27" |
| A HEIGHT TO TOP OF CANOPY | 101" |
| B FORK CARRIAGE WIDTH | 48.25" (III) |
| C FRAME OPENING | 57.75" |
| D OVERALL WIDTH | 101" |
| E OVERHANG | 80" |
| F WHEELBASE | 83.5" |
| G CENTER OF GRAVITY (From Fork Face) | 27" |
| H1 LIFT HEIGHT | 120" |
| H2 MAST HEIGHT - COLLAPSED | 97.25" |
| H3 MAST HEIGHT - RAISED | 157" |
| H1a LIFT HEIGHT | 144" |
| H2a MAST HEIGHT - COLLAPSED | 109.25" |
| H3a MAST HEIGHT - RAISED | 181" |
| J GROUND CLEARANCE | 11" |
| K FACE OF FORK TO CENTER OF FRONT TIRE | 9" |
| L ANSI STANDARD | B56.6 |



The above specifications are not binding upon the manufacturer and may be changed without prior notice.

Weights may vary, depending on tire and/or fork options



Princeton Delivery Systems
 12233 Williams Road
 Perrysburg, OH 43551 USA
 tel 1.800.331.5851
www.piggy-back.com