

# Dynapac CC900S Plus

## Double drum vibratory rollers

Atlas Copco



### Technical data



#### Masses

Max. operating mass	3,800 lbs
Operating mass (incl. ROPS)	3,600 lbs
Module mass (front/rear)	1,700/1,900 lbs



#### Propulsion

Speed range	0 -6 mph
Vertical oscillation	±13°
Theor. gradeability	50 %



#### Compaction

Static linear load (front/rear)	49/53 lbs/in
Water tank	30 gal
Centrifugal force, front	2,500 lb
Centrifugal force, rear	3,800 lb
Nominal amplitude, front	0.012 in
Nominal amplitude, rear	0.01 in
Vibration frequency, front	3,360 vpm
Vibration frequency, rear	4,200 vpm



#### Engine

Manufacturer/Model	Kubota D1105-E4B T4f
Type	Water cooled diesel
Rated power, SAE J1995	24 hp @ 2,800 rpm
Fuel tank capacity	6 gal



#### Hydraulic system

Driving	Axial piston pump with variable displacement and servo. 2 radial piston motors with constant displacement.
Vibration	Gear pump/motors with constant displacement.
Steering	Gear pump with constant displacement.
Service brake	Hydrostatic in forward and reverse lever.
Parking/Emergency brake	Failsafe brake in both drums.

Find us locally at [www.atlascopco.com](http://www.atlascopco.com)

We reserve the right to change specifications without notice. Photos and illustrations do not always show standard versions of machines. The above information is a general description only, all informations are supplied without liability.

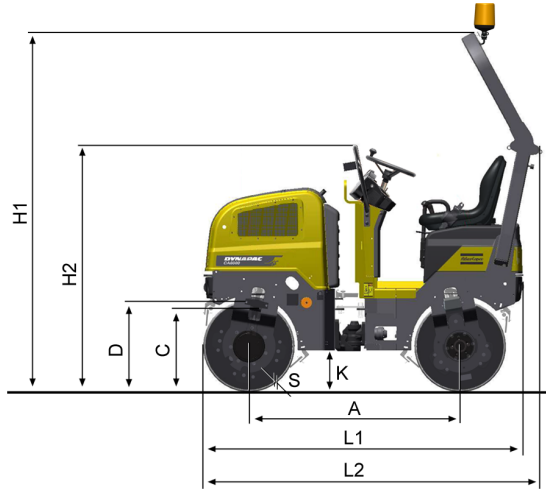
rce\_cc900s\_plus\_us-20141022.092726.pdf 2014-10-22 09:27

# Dynapac CC900S Plus

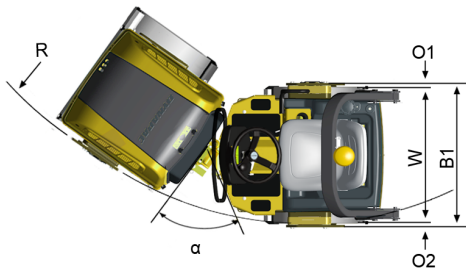
## Double drum vibratory rollers



### Technical data



Dimensions	
A. Wheelbase	53 in
B. Width	38 in
C. Curb clearance	23 in
D. Drum diameter	23 in
H1. Height, with ROPS/cab	91 in
K. Ground clearance	10 in
L1. Length	80 in
O1. Overhang, right	1 in
O2. Overhang, left	1 in
S. Drum shell thickness	0.5 in
W. Drum width	35 in
$\alpha$ . Steering angle	$\pm 32^\circ$



Find us locally at [www.atlascopco.com](http://www.atlascopco.com)

We reserve the right to change specifications without notice. Photos and illustrations do not always show standard versions of machines. The above information is a general description only, all informations are supplied without liability.