

# Dynapac CC800 Plus

## Double drum vibratory rollers

Atlas Copco



### Technical data



#### Masses

Max. operating mass	3,700 lbs
Operating mass (incl. ROPS)	3,400 lbs
Module mass (front/rear)	1,600/1,800 lbs



#### Propulsion

Speed range	0-6 mph
Vertical oscillation	±13°
Theor. gradeability	40 %



#### Compaction

Centrifugal force	3,800 lb
Nominal amplitude	0.016 in
Static linear load (front/rear)	52/56 lbs/in
Vibration frequency	4,200 vpm
Water tank	50 gal.
Water tank	50 gal



#### Engine

Manufacturer/Model	Kubota D1105-E4B T4f
Type	Water cooled diesel
Rated power, SAE J1995	24 hp @ 2,800 rpm
Fuel tank capacity	6 gal



#### Hydraulic system

Driving	Axial piston pump with variable displacement and servo. 2 radial piston motors with constant displacement.
Vibration	Gear pump/motors with constant displacement.
Steering	Gear pump with constant displacement.
Service brake	Hydrostatic in forward and reverse lever.
Parking/ Emergency brake	Failsafe brake in both drums.

Find us locally at [www.atlascopco.com](http://www.atlascopco.com)

We reserve the right to change specifications without notice. Photos and illustrations do not always show standard versions of machines. The above information is a general description only, all informations are supplied without liability.

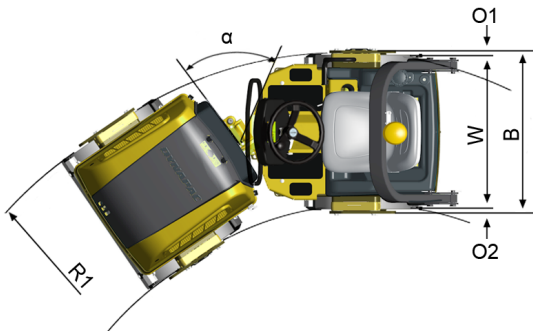
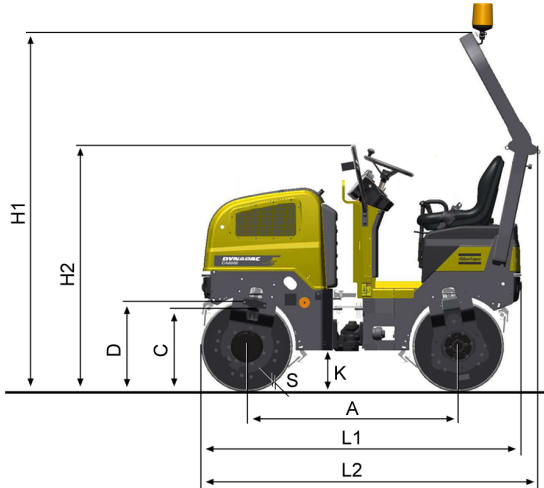
rce\_cc800plus\_us-20150409.144516.pdf 2015-04-09 14:45

# Dynapac CC800 Plus

## Double drum vibratory rollers

Atlas Copco

### Technical data



#### Dimensions

A. Wheelbase	53 in
B. Width	34 in
C. Curb clearance	18 in
D. Drum diameter	23 in
H1. Height, with ROPS/cab	91 in
K. Ground clearance	10 in
L1. Length	6.69 ft
O1. Overhang, right	1 in
O2. Overhang, left	1 in
S. Drum shell thickness	0.6 in
W. Drum width	31 in
$\alpha$ . Steering angle	$\pm 34^\circ$



#### Equipment package

CC Plus Package	Included	Optional
Backup alarm	■	
CE sign	■	
Comfort seat	■	
Cup/can holder	■	
Driving lights, right or left handed		■
Dual forward/reverse control		■
Foldable ROPS incl. seat belt	■	
Large Watertank, 190 l	■	
Rotating beacon	■	
Rotating beacon, ignition controlled		■
Sprinkler timer	■	
Vibr. shut off, front or rear drum	■	
Working lights	■	



#### Standard equipment

Auto Vibration Ctrl (AVC), Auto Water Ctrl (AWC), Back up alarm, Central lifting eye, Cup/Can holder, Emergency stop, Foldable ROPS, Fuel gauge, Horn, Hourmeter, Hydraulic pressure checkpoints, Ignition key, Interlock brake, Pressurized sprinkler system, Rubber mounted operator's platform, Seat belt, Sprinkler timer, Towing eyelet front/rear, Vibrations both drums, Warning lights; Brake -Charging -Engine oil pressure/water temp -Low fuel



#### Optional equipment

Biodegradable hydraulic fluid, Cert. fire protection ( SBF 127), Decal risk location (GOST), Fire extinguisher, Hearing protectors, Licence plate light, Rear view mirror (traffic view), Service kit 50/500/1000 h, Side direction lights (driving lights required), Slow moving vehicle sign, Special color (one or two), Tool set, Water tank cover (lockable)

Find us locally at [www.atlascopco.com](http://www.atlascopco.com)

We reserve the right to change specifications without notice. Photos and illustrations do not always show standard versions of machines. The above information is a general description only, all informations are supplied without liability.

rce\_cc800plus\_us-20150409.144516.pdf 2015-04-09 14:45