

# Dynapac CC1300 Plus

## Double drum vibratory rollers

Atlas Copco



### Technical data



#### Masses

Max. operating mass	8,900 lbs
Operating mass (incl. ROPS)	8,600 lbs
Module mass (front/rear)	4,200/4,400 lbs



#### Propulsion

Speed range	0-6 mph
Vertical oscillation	±10°
Theor. gradeability	37 %



#### Compaction

Centrifugal force	7,400/
Nominal amplitude	0.020 in
Static linear load (front/rear)	82/86 lbs/in
Vibration frequency	3,120/
Water tank	53 gal



#### Engine

Manufacturer/Model	Kubota V2203-M (T4i)
Type	Water cooled
Rated power, SAE J1995	44 hp @ 2,600 rpm
Fuel tank capacity	13 gal



#### Hydraulic system

Driving	Axial piston pump with variable displacement. Radial piston motors (2) with constant displacement.
Vibration	Gear pump/motors with constant displacement.
Steering	Gear pump with constant displacement.
Service brake	Hydrostatic in forward and reverse lever.
Parking/Emergency brake	Failsafe multidisc brake in both drums.

Find us locally at [www.atlascopco.com](http://www.atlascopco.com)

We reserve the right to change specifications without notice. Photos and illustrations do not always show standard versions of machines. The above information is a general description only, all informations are supplied without liability.

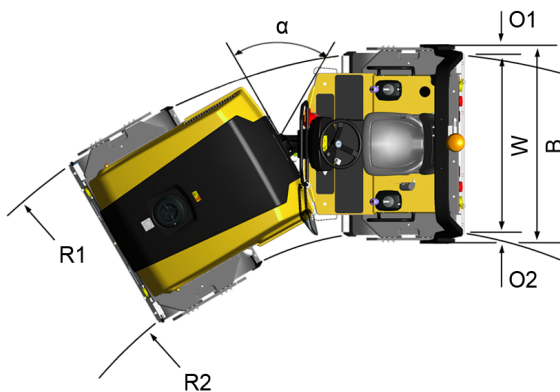
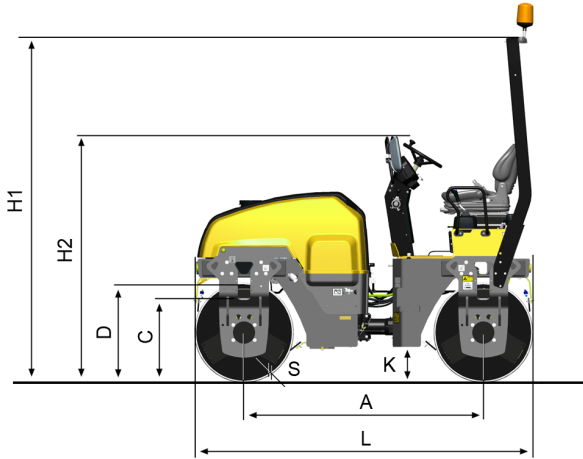
rce\_cc1300\_plus\_us-20150331.130538.pdf 2015-03-31 13:05

# Dynapac CC1300 Plus

## Double drum vibratory rollers

Atlas Copco

### Technical data



Dimensions	
A. Wheelbase	76 in
B. Width	57 in
C. Curb clearance	24 in
D. Drum diameter	32 in
H1. Height, with ROPS/cab	108 in
H2. Height, w/o ROPS/cab	73 in
K. Ground clearance	10 in
L. Length	107 in
O1. Overhang, right	2 in
O2. Overhang, left	2 in
R1. Turning radius, outside	14 ft
R2. Turning radius, inside	10 ft
S. Drum shell thickness	0.6 in
W. Drum width	51 in
$\alpha$ . Steering angle	$\pm 30^\circ$



### Equipment package

CC Plus Package	Included	Optional
Backup alarm	■	
Brake release	■	
CE sign	■	
Driving lights, right or left handed		■
Dual arm rest	■	
Dual forward/reverse control	■	
Dual frequency		■
Flow divider		■
Foldable ROPS incl. 3" seatbelt	■	
Rotating beacon	■	
Slideable comfort seat	■	
Slideable lux seat		■
Spring loaded scrapers	■	
Sprinkler timer	■	
Vibr. shut off, front and rear drum	■	
Working lights	■	



### Standard equipment

Backup alarm, Foldable ROPS incl. 3" seatbelt, Working lights



### Optional equipment

Biodegradable hydraulic fluid, Fire extinguisher, Foot rest, Hearing protectors, Licence plate light, Rear view mirror, traffic view, Service kit 50/500/1000H, Side direction lights (driving lights required), Slow moving vehicle sign, Special color (one or two), Tool set, Towing eyelet, Water tank cover (lockable)

Find us locally at [www.atlascopco.com](http://www.atlascopco.com)

We reserve the right to change specifications without notice. Photos and illustrations do not always show standard versions of machines. The above information is a general description only, all informations are supplied without liability.

rce\_cc1300\_plus\_us-20150331.130538.pdf 2015-03-31 13:05